

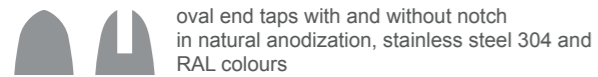
- 1 mount cap
- 2 main body
- 3 clamp
- 4 elastic gasket
- 5 allen screw M6x40mm
- 6 metal plug M10-12



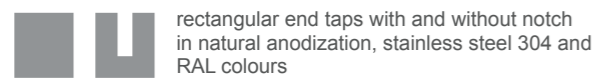
oval cap in natural anodization, stainless steel imitation, and RAL colours in 5m and 6m rods



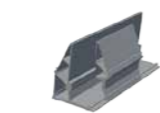
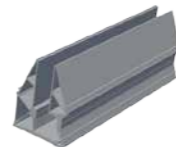
rectangular cap in natural anodization, stainless steel in 5m, 6m and 6,5m rods. RAL colours in 5m and 6m rods



oval end taps with and without notch in natural anodization, stainless steel 304 and RAL colours



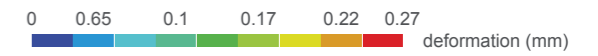
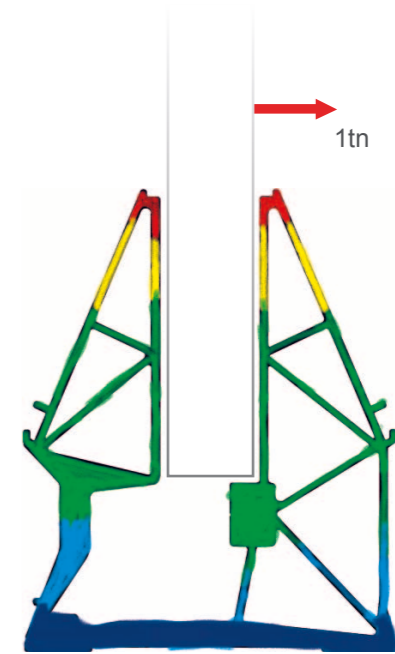
rectangular end taps with and without notch in natural anodization, stainless steel 304 and RAL colours



mounts	plugs
L150 (150mm)	2
L200 (200mm)	2
L300 (300mm)	3
L400 (400mm)	3
L150/250 (150/250mm)	2
L200/300 (200/300mm)	3
L300/400 (300/400mm)	3



profile weight ~11.4kg/m
 aluminum alloy EN AW 6060 T66, AlMgSi 0.5 F22



Strain load on 50cm mount with 1ton (,000Nt) vertically on glassboard holding surface.

max allowable torque of allen screw tightening (cat 8.8)

M6	7.2Nm
M8	18Nm
M10	36Nm
M12	62Nm

recommended support:

