

- 1 mount cap

---

- 2 main body

---

- 3 clamp

---

- 4 elastic gasket

---

- 5 allen screw M10x70mm

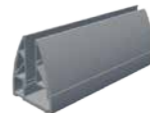
---

- 6 metal plug M12



oval cap in natural anodization, stainless steel imitation, RAL colours in 5m and 6m rods

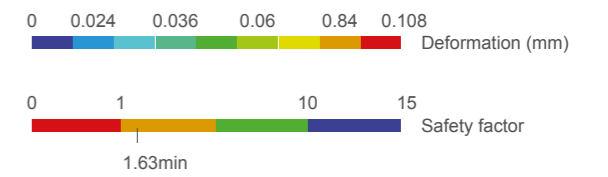
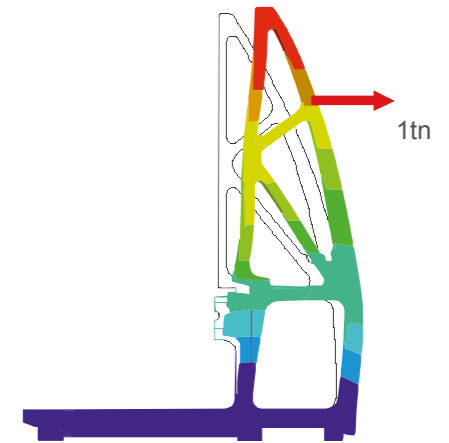
oval end taps with and without notch in natural anodization, stainless steel 304 and RAL colours



mount	bolts
L150 (150mm)	2
L200 (200mm)	2
L300 (300mm)	3
L400 (400mm)	3



profile weight ~11.7kg/m  
 aluminum alloy EN AW 6060 T66, AlMgSi 0.5 F22



max allowable torque of allen screw tightening (cat 8.8)

M6	7.2Nm
M8	18Nm
M10	36Nm
M12	62Nm

Strain load on 30cm mount with 1ton (,000Nt) vertically on glassboard holding surface.

recommended support:



	15-20 cm	30-40 cm	d				
h (cm)	120	110	100	90	80	70	60
d (cm)	30-35	35-40	40-45	45-50	50-55	55-65	65-80